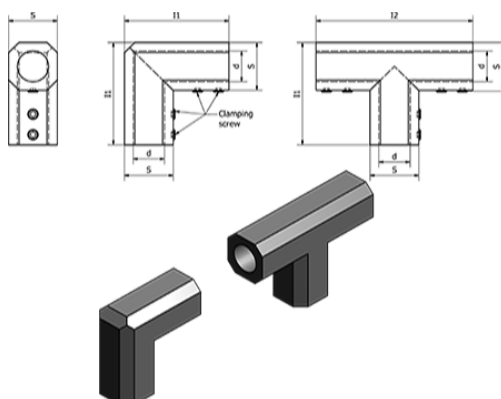


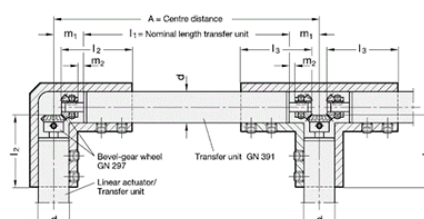
Varenummer: 2029860B50WSW

Beskrivelse: E+G Tandhjuls hus - GN 298-60-B50-W-SW

Mål



Assembly of linear actuators and transfer units with bevel gear wheels in housings GN 298



d	Linear actuator / transfer unit	l_2	l_3	m_1	m_2	Bevel gear wheel	Housing
18		42	41	20	4	GN 297-17,5-K6	GN 298-20-B10-W/T-SW
30		58	57	25	1	GN 297-26-K8	GN 298-40-B30-W/T-SW
40		74	72	32	1	GN 297-35-K12	GN 298-50-B40-W/T-SW
50		90	82	32	1	GN 297-35-K12	GN 298-60-B50-W/T-SW

Length of the transfer unit GN 298:
 $l_1 = A - 2 \times m_1$

d = B50

l1 = 128

l2 = 190

S = 60

Vægt (g) = 692